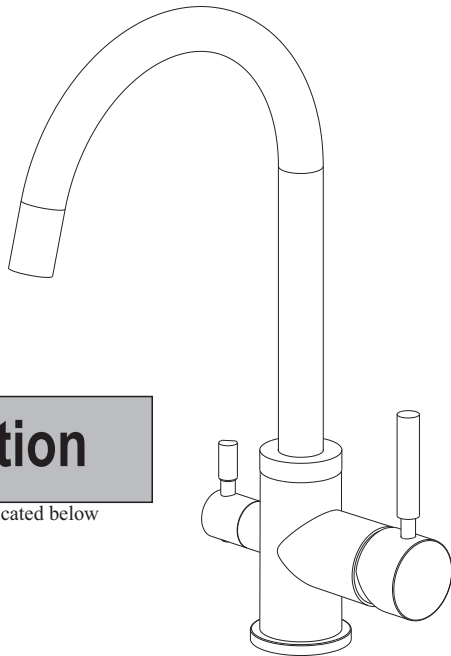


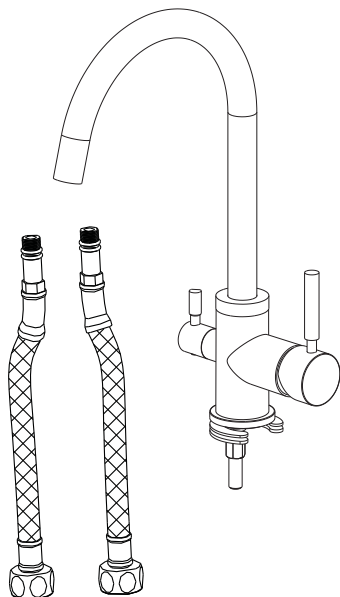
Installation Instruction

Three Flow Kitchen Faucet

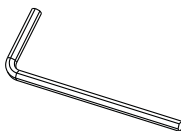


Before your installation

please check to make sure you have the following parts indicated below



Tools you will need



Allen wrench (2.5mm)



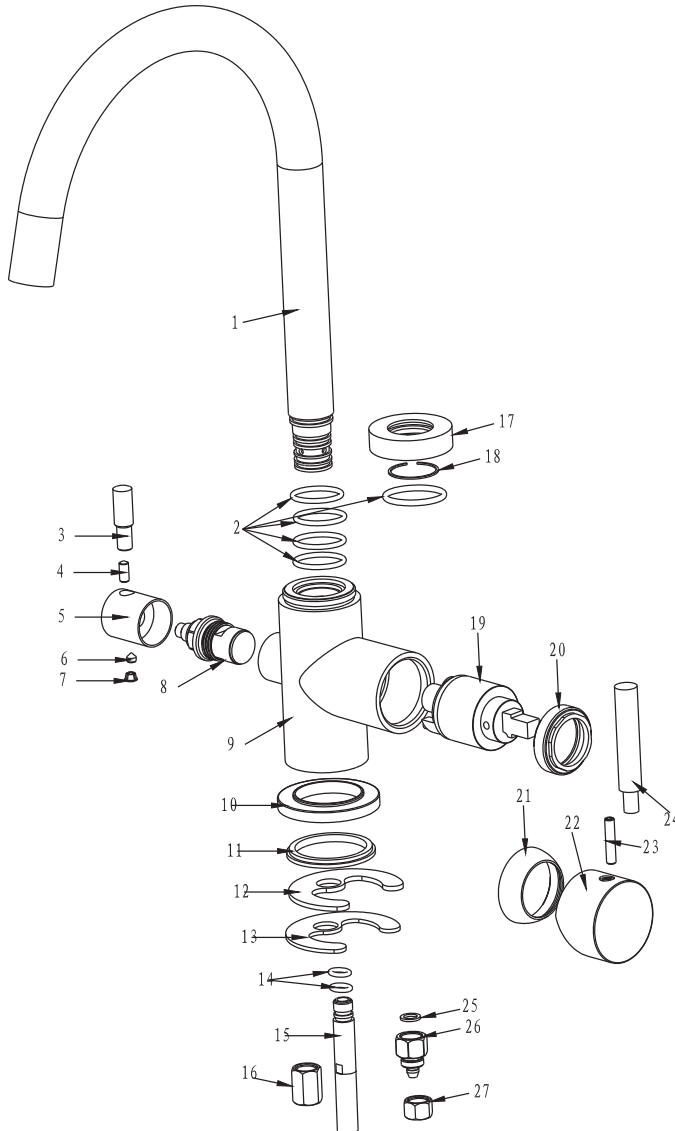
Pipe tape



Monkey wrench

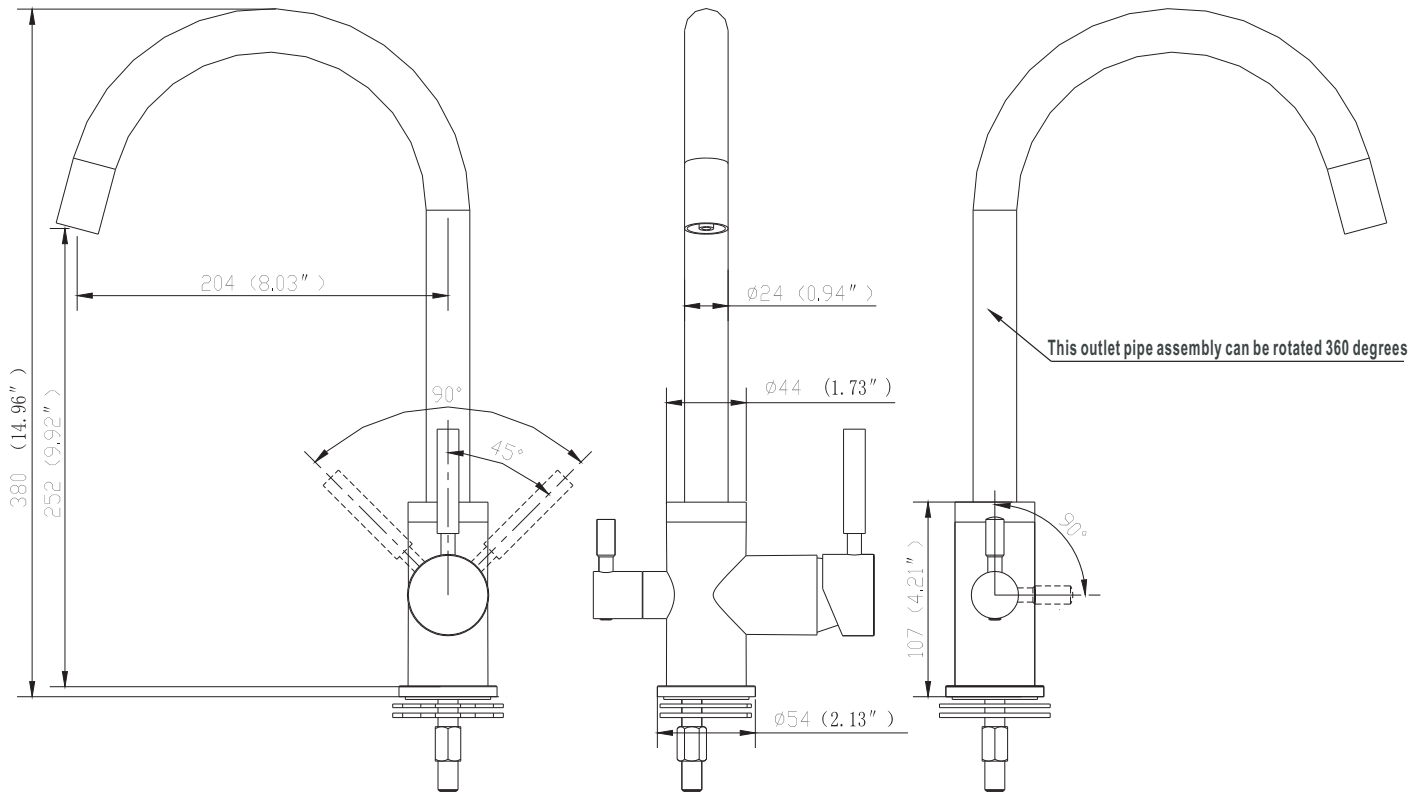
Replacement parts

Keep this manual for ordering replacement parts

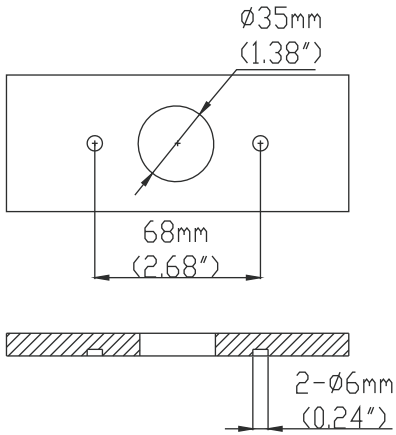


- | NO | NAME |
|-----|------------------------|
| 1. | Spout assembly |
| 2. | O-ring |
| 3. | Handle knob |
| 4. | Screw |
| 5. | Handle |
| 6. | Locking screw |
| 7. | Handle plugs |
| 8. | Cartridge |
| 9. | Faucet body |
| 10. | Index |
| 11. | Rubber pad |
| 12. | Rubber pad |
| 13. | Stainless steel gasket |
| 14. | O-ring |
| 15. | Inlet pipe |
| 16. | Nut |
| 17. | Copper sleeve |
| 18. | Gasket |
| 19. | Cartridge |
| 20. | Cartridge platen |
| 21. | Head cover |
| 22. | Handle body |
| 23. | Screw |
| 24. | Handle knob |
| 26. | Flat washers |
| 27. | Locking nut |

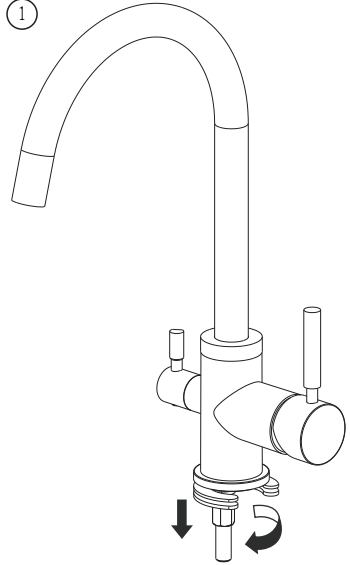
Product Dimension Drawing



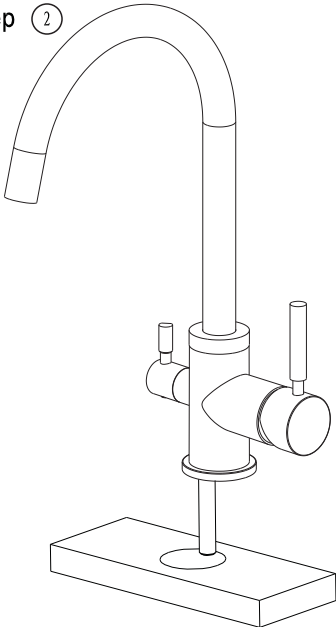
Faucet Installation Procedures



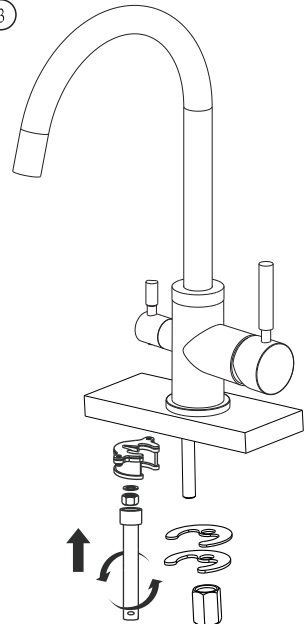
Step ①



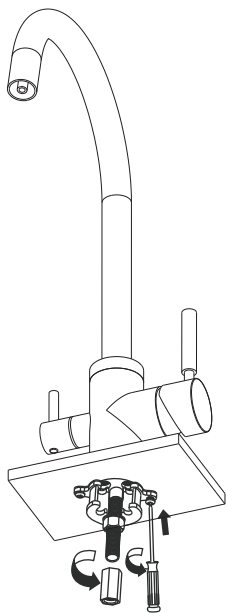
Step ②



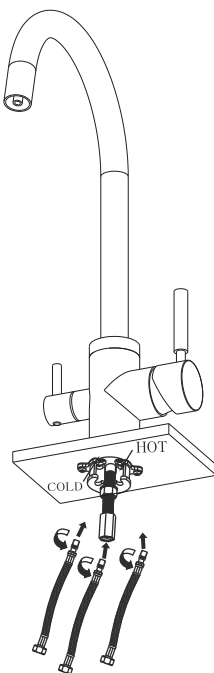
Step ③



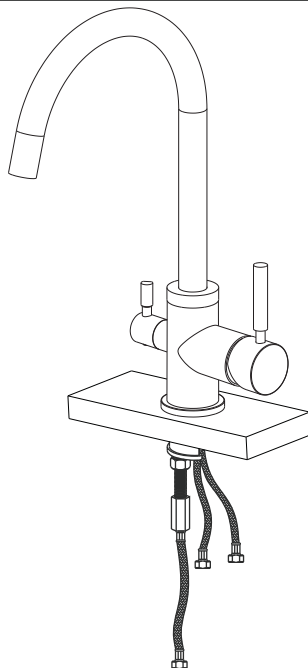
Step ④



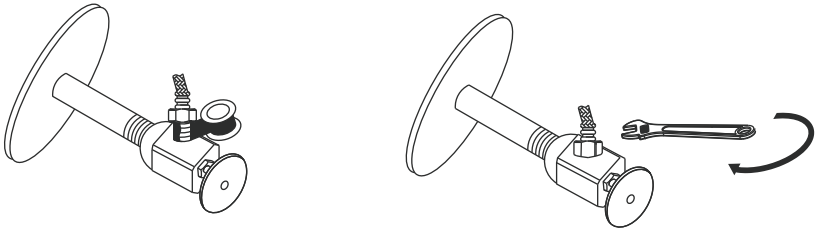
Step ⑤



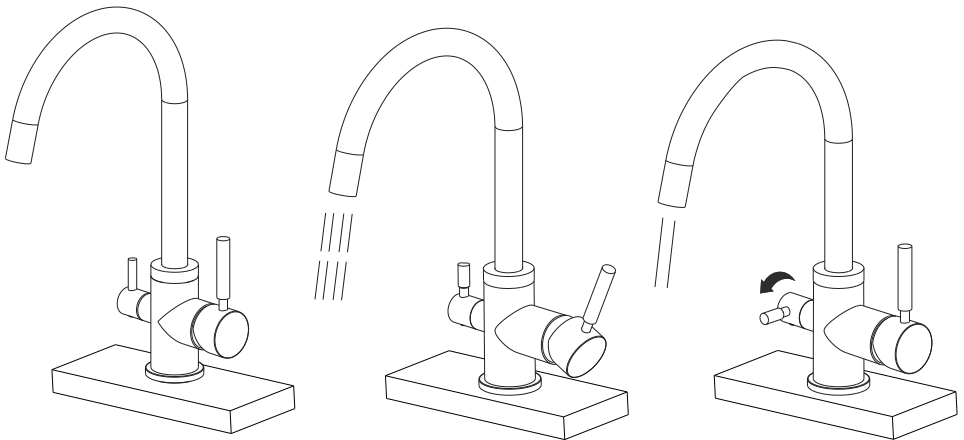
Step ⑥



Step ⑦



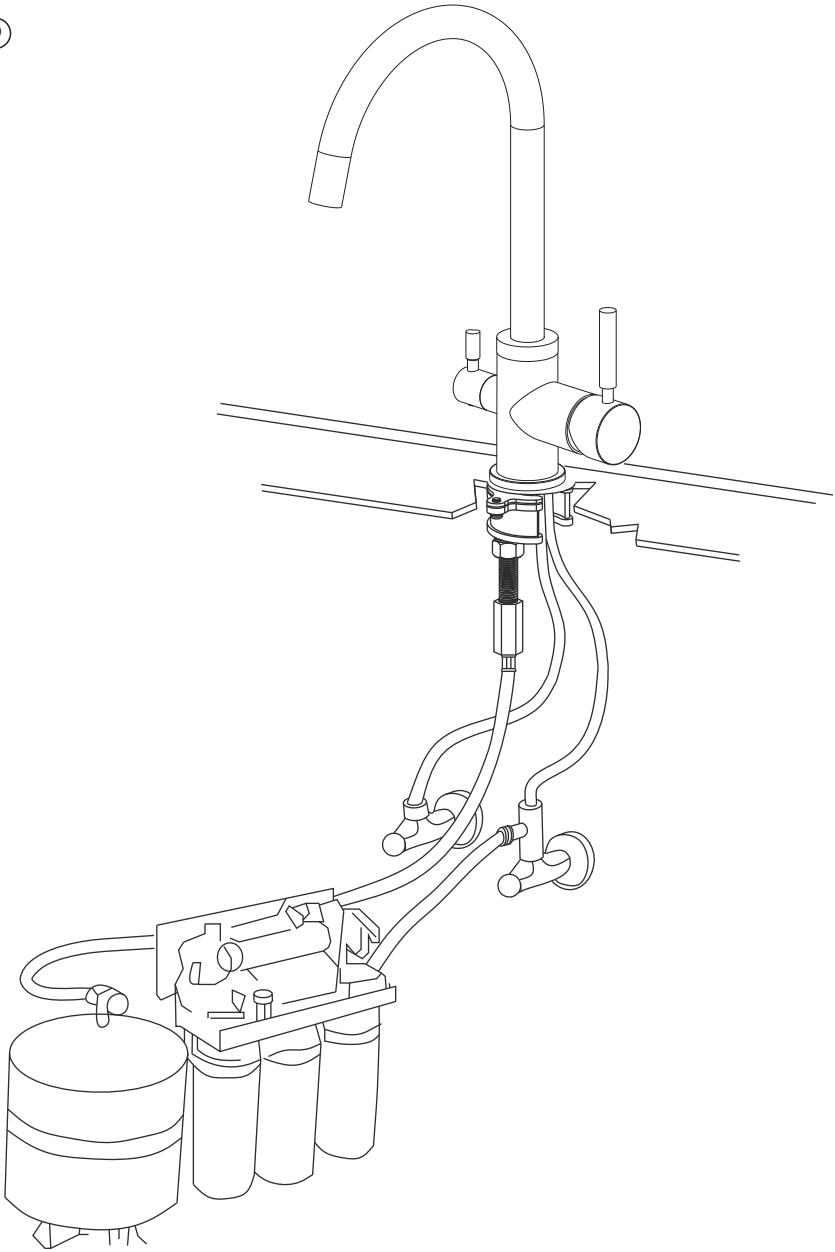
Step ⑧



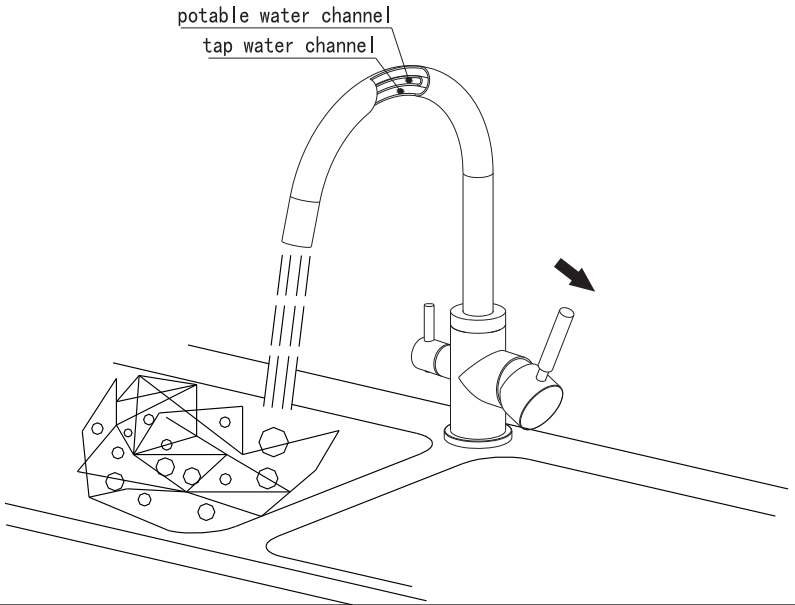
Notice:

Please removing all of the sand,silt and other things from the water hose before assembling,to avoid blocking the faucet and effecting water rate. Please use the special tools to disassemble it and wash with pneumatic equipment,ifthe faucet blocked.

Step ⑨



Step ⑩



Step ⑪

