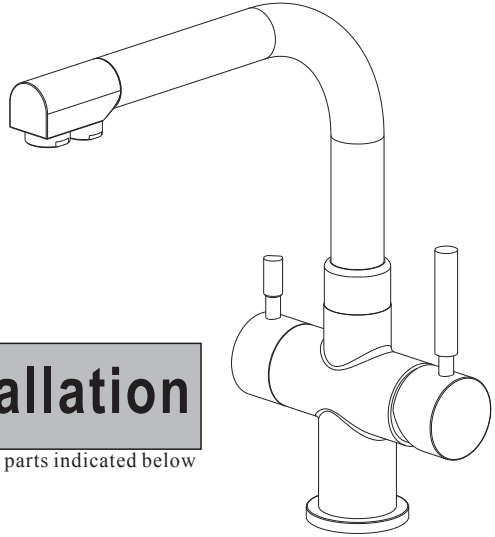


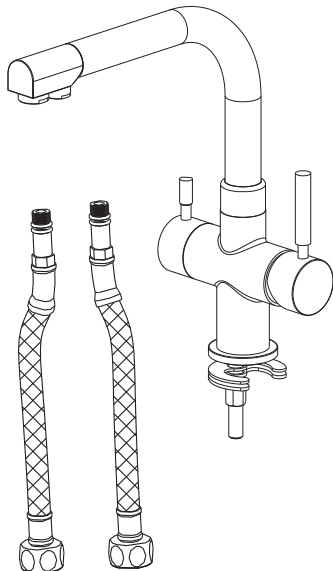
Installation Instruction

Three Flow Kitchen Faucet

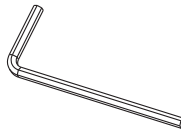


Before your installation

please check to make sure you have the following parts indicated below



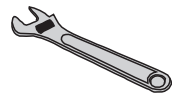
Tools you will need



Allen wrench (2.5mm)



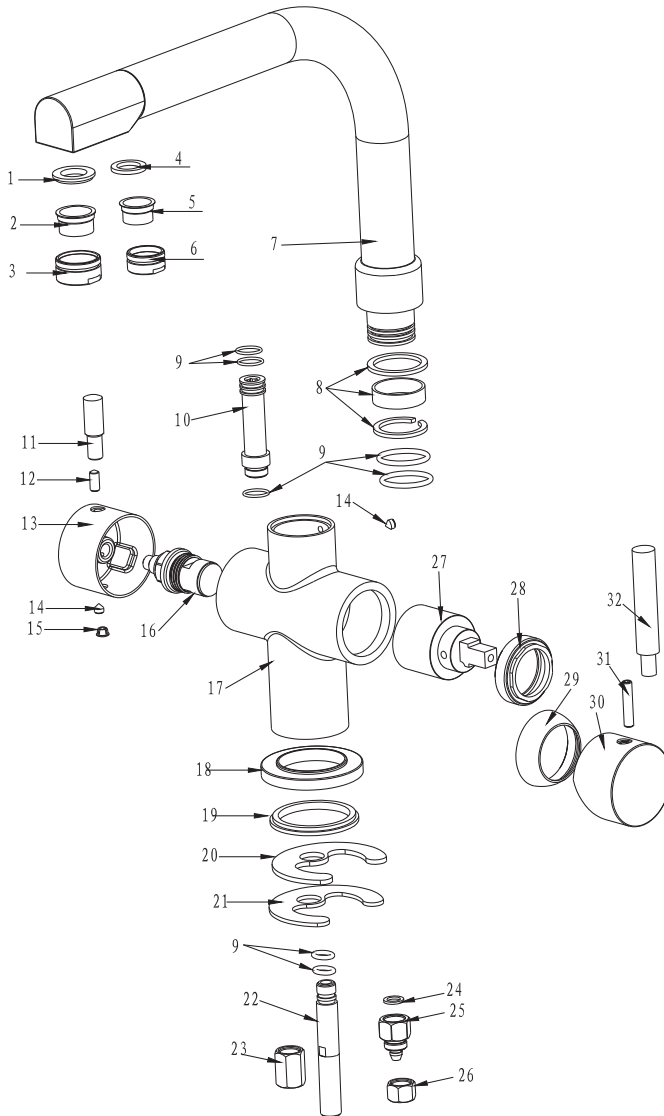
Pipe tape



Monkey wrench

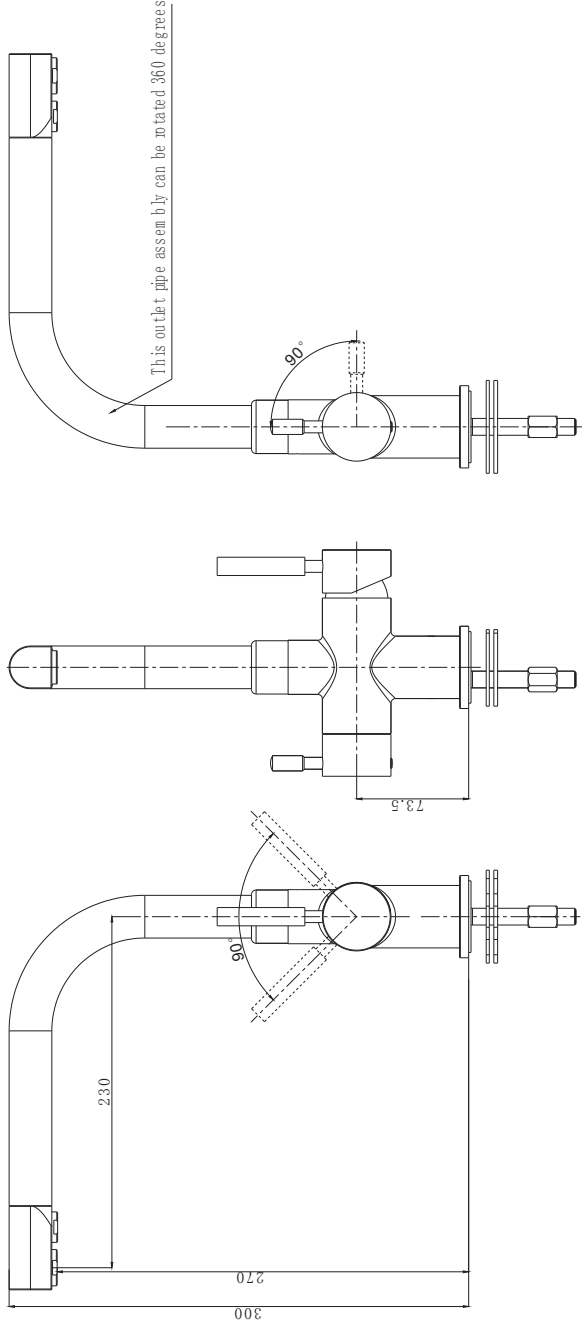
Replacement Parts

Keep this manual for ordering replacement parts

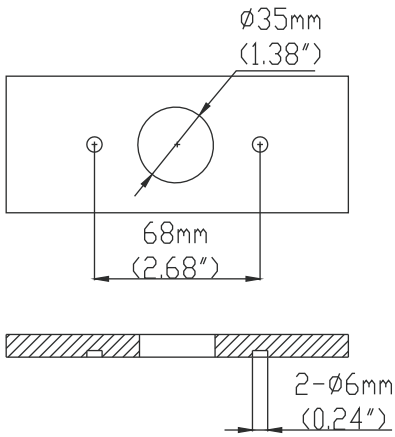


- | NO | NAME |
|-----|------------------------|
| 1. | Flat washer |
| 2. | Bubbler core |
| 3. | Bubbler jacket |
| 4. | Flat washer |
| 5. | Bubbler core |
| 6. | Bubbler jacket |
| 7. | Spout assembly |
| 8. | Copper sleeve |
| 9. | O-ring |
| 10. | Inlet pipe |
| 11. | Handle knob |
| 12. | Screw |
| 13. | Handle |
| 14. | Locking screw |
| 15. | Handle plugs |
| 16. | Cartridge |
| 17. | Faucet body |
| 18. | Index |
| 19. | Rubber pad |
| 20. | Rubber pad |
| 21. | Stainless steel gasket |
| 22. | Inlet pipe |
| 23. | Nut |
| 24. | Flat washers |
| 25. | Coupling nut |
| 26. | Locking nut |
| 27. | Cartridge |
| 28. | Cartridge platen |
| 29. | Head cover |
| 30. | Handle body |
| 31. | Screw |
| 32. | Handle knob |

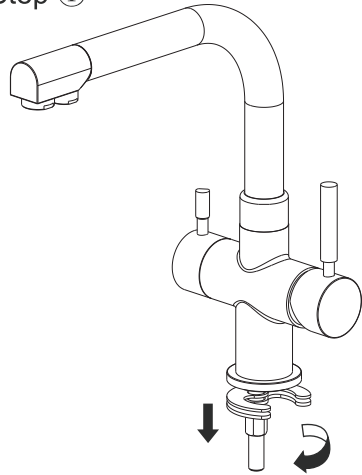
Product Dimension Drawing



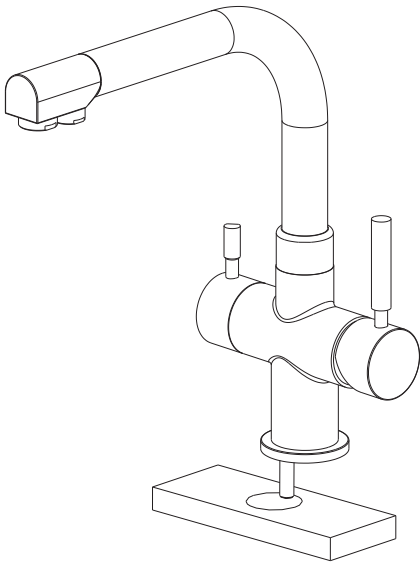
Faucet Installation Procedures



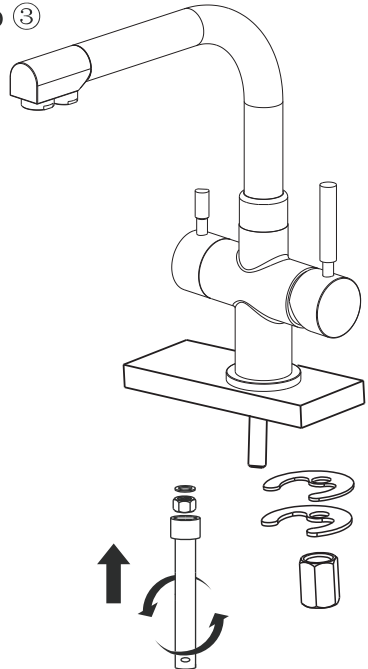
Step ①



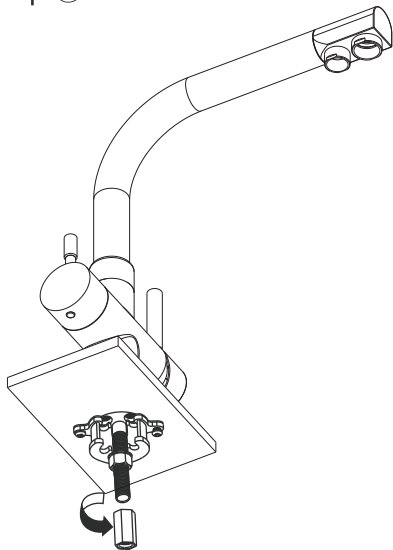
Step ②



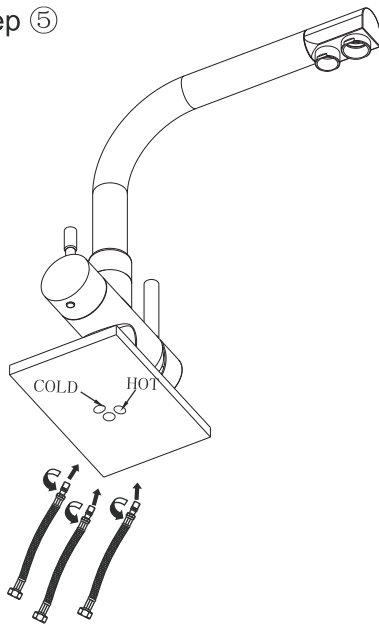
Step ③



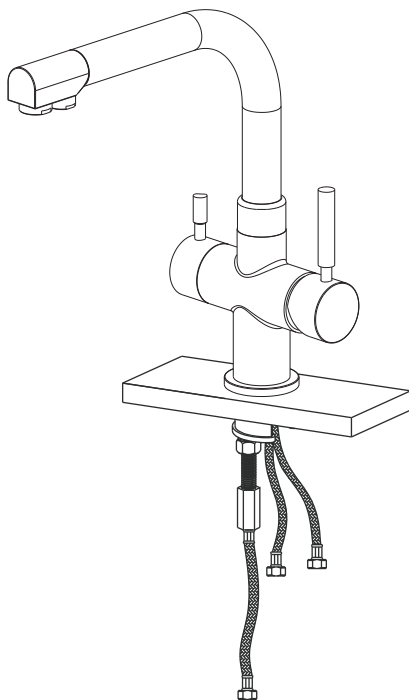
Step ④



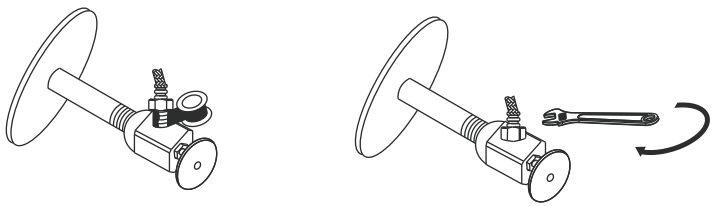
Step ⑤



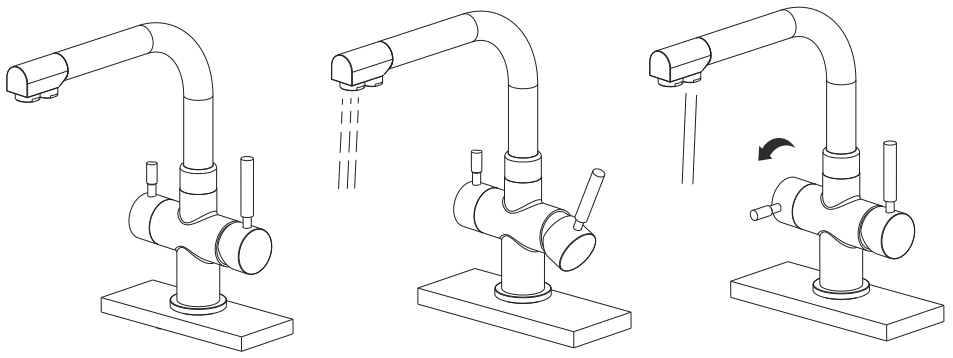
Step ⑥



Step ⑦



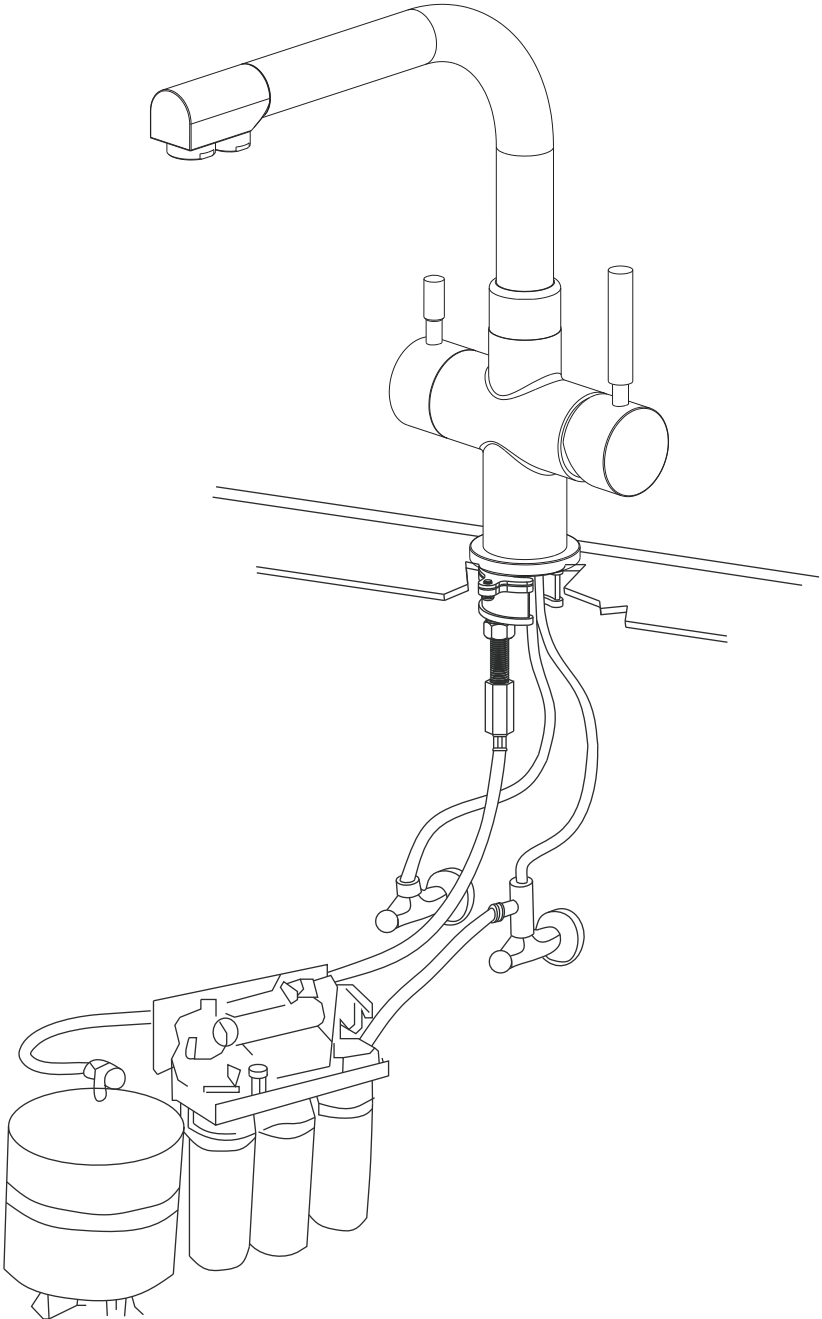
Step ⑧



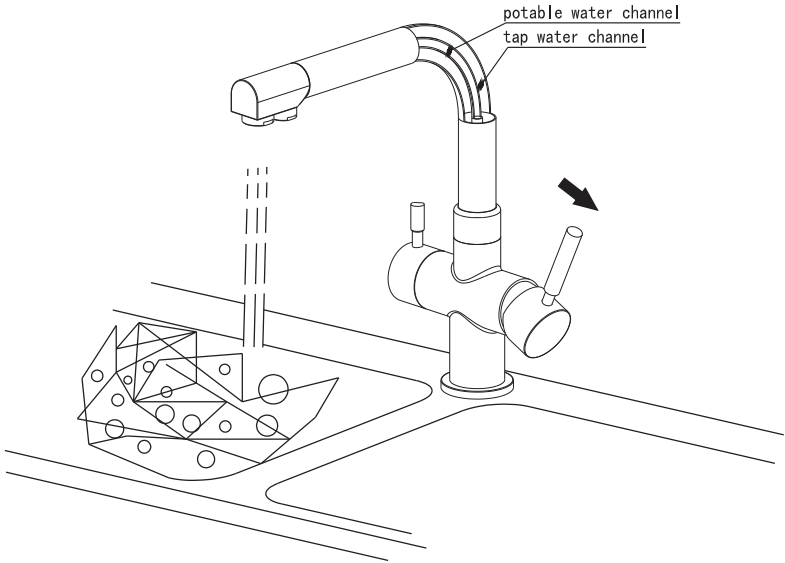
Notice:

Please removing all of the sand, silt and other things from the water hose before assembling, to avoid blocking the faucet and effecting water rate. Please use the special tools to disassemble it and wash with pneumatic equipment, if the faucet blocked.

Step ⑨



Step ⑩



Step ⑪

